

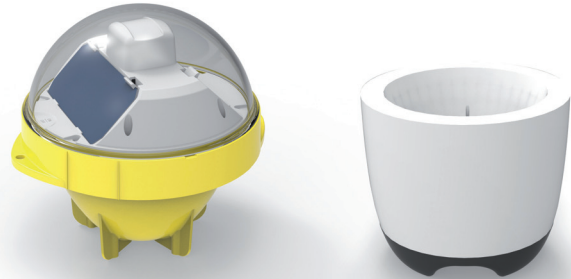


# SATLINK ELB3010 ILL+ BUOY



# Satlink ELB3010 ILL+ Buoy

*Technology for effective sustainable longline fisheries*



## NEW SATELLITE BUOY FOR LONGLINER

Updated and immediate GPS positions allow the buoy to be located quickly and efficiently, saving fuel and operating time. In case of breakage of the line the situation can easily be detected and the remainder of the line located and recovered immediately, thanks to the accurate GPS of other buoys along the line.

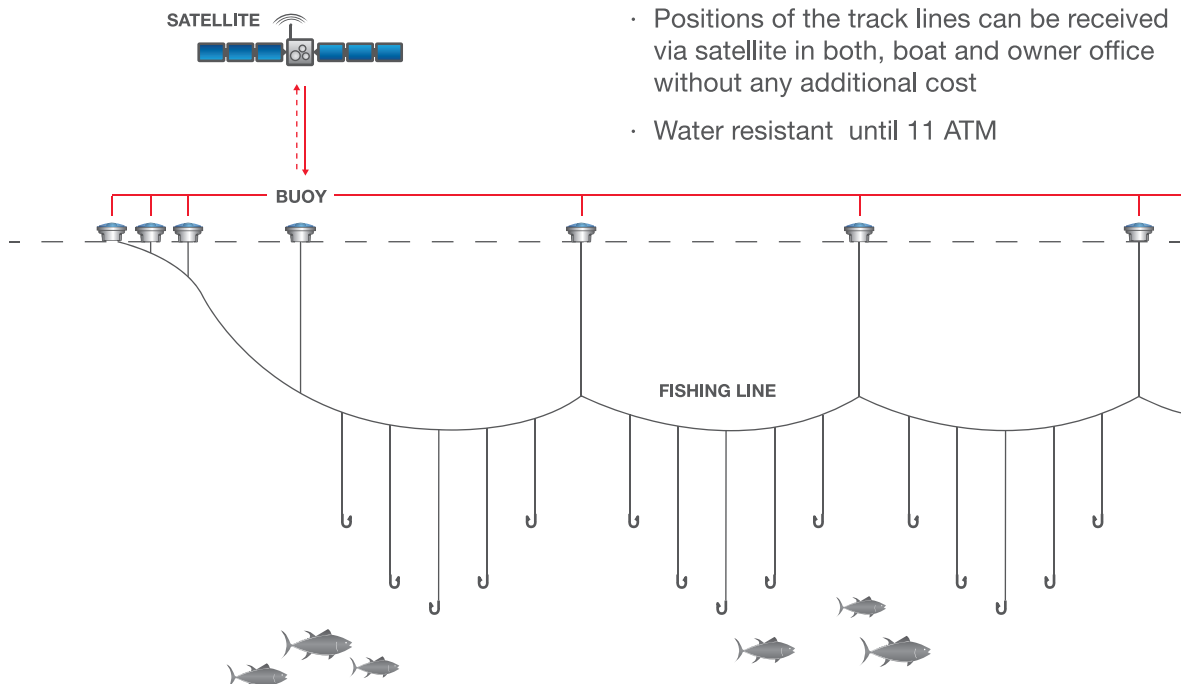
A remote controlled high brightness flash allows the vessel to find the buoy in the dark, pressing a single button.

Fully autonomous energy buoy. It is not necessary to store or replace batteries as the life of the energy system of the buoy is unlimited.

Lightweight, easy to use and attach while the fishing line is being shot.

## MAIN CHARACTERISTICS

- The lines can always be located
- No one else can see the position except the user
- Can be switched on remotely
- The transmitting interval can be set by the customer
- No need for chargers on board
- Solar powered with no battery
- Compatible with DigitalGlobe's OrbMap software and Ocean Imaging's, SeaView software – allowing overlay on top of oceanographic maps.
- Real-time buoy GPS positions, current and sea surface temperature. Low latency, buoy answers polls within 3 minutes.
- Buoy requires no maintenance whatsoever, lifespan is only limited to environmental wear and tear.
- Positions of the track lines can be received via satellite in both, boat and owner office without any additional cost
- Water resistant until 11 ATM



## FASTER TRANSMISSIONS

Low latency: the ELB3010 ILL answers polls in less than 3 minutes.

Other features:

- Can be upgraded with future software via satellite (OTA), even when deployed at sea
- Flash: configurable light duration and programmable deferred switch on
- Low power consumption

## SUSTAINABILITY

Satlink ELB3010 ILL buoys are solar powered. They don't use batteries and therefore are completely lead-free.

ELB3010 ILL captures the energy that it requires to operate from solar panels and stores this in super capacitors.

This means the service life-span is only limited by environmental wear and tear. The buoy design requires no maintenance whatsoever and does not deteriorate over time.

This enables us to state categorically that Satlink ELB3010 ILL buoys do not pollute the environment and are a completely sustainable product.

## TECHNICAL SPECIFICATIONS

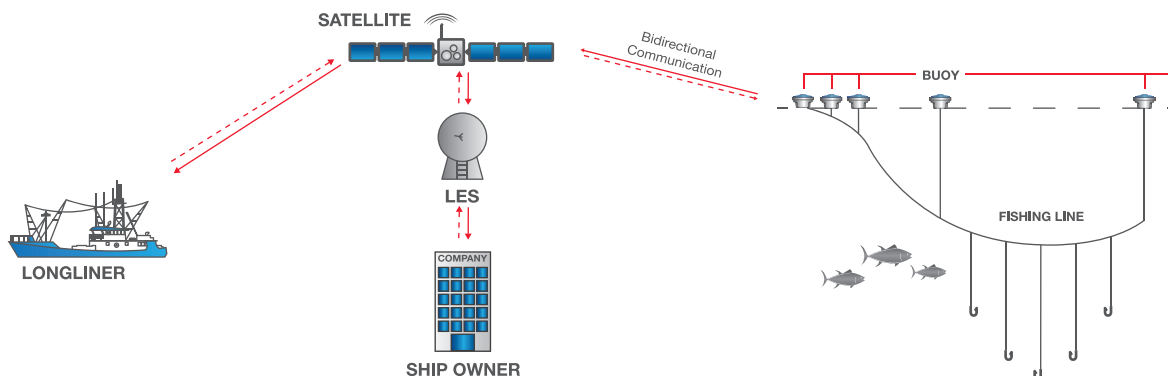
### ELB 3010 TECHNICAL SPECIFICATIONS

#### ILL+ BUOY

<b>Weight</b>	4 Kg (ballast incl. 5,4kg)	<b>Battery-free</b>	
<b>Dimensions</b>	BUOY. 310 mm diameter x 315 mm high FLOAT. 310 mm diameter x 260 mm high	<b>Energy</b>	PV panels and super capacitor to store solar energy



## OPERATING DIAGRAM



The information of this product sheet can be modified without previous advise.

[www.satlink.es](http://www.satlink.es)

Satlink ILL+ Solar Buoy with IDP for longliner (Ref. 01848)



SATLINK ELB3010 ILL+ BUOY

